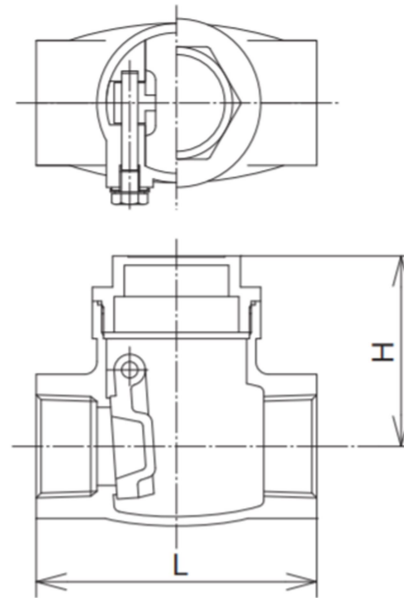


Product Code

**USCS/USCSM**      **Screwed**      **Swing check valve** With JIS-compliant end-to-end dimensions(JIS B 2011)



Nominal (B)	L	H
1/2	65	50
3/4	80	55
1	90	60
1 1/4	105	70
1 1/2	120	75
2	140	80
2 1/2	180	95
3	200	105

Unit: mm

\* 2 1/2, 3B: Compliant with the end-to-end dimensions of screwed globe valves required by JIS B 2011

Product Name	Material		Remarks
	USCS	USCSM	
Body	SCS13A	SCS14A	
Cover	SCS13A	SCS14A	
Disc	SCS13A	SCS14A	
Gasket	Reinforced PTFE		

Series	H-series		S-series				
	10K	10K(Metal seat)	10K(Soft seat)	20K	150lb		
Specification standard	End-to-end dimensions	Hitachi Valve standard/JIS B 2011		JIS B 2002		ASME B 16.10	
	Thickness	Hitachi Valve standard		ASME B 16.34(1996)			
	Connection	JIS B 0203 Taper pipe threads	JIS B 2220 10K-RF		JIS B 2220 20K-RF <sup>*1</sup>	ASME B 16.5(1996) 150lb-RF	
		JIS B 2220 10K-FF					
Packing	Reinforced PTFE (conical)			Expanded graphite	Reinforced PTFE (conical)		
Gasket	Reinforced PTFE			Expanded graphite	Reinforced PTFE		
Scope of use	120°C or lower	1.4 MPa		3.4 MPa			
	150°C or lower	1.1 MPa	—	—			
	180°C or lower	1.0 MPa	—	1.28 MPa	—		
	220°C or lower	—	1.2 MPa	—	3.1 MPa	In accordance with ASME B16.34 (1996) <sup>*2</sup>	
	300°C or lower	—	1.0 MPa	—	2.9 MPa		
<input type="checkbox"/> H-series Oil is used: 1. Usable oil: Heavy oil (A/ B/ C), lubricant oil, turbine oil (#90 or above), coal tar, and pitch 2. Unusable oil: Crude oil, naphtha, gasoline, kerosene, light oil, turbine oil (#80 or lower), and heat-transfer oil <input type="checkbox"/> S-series Gasket and packing materials of a 10K/150lb valve will be replaced (with expanded graphite) if the valve is to be used at temperatures greater than 180°C.							
Test Pressure	Valve body pressure resistance	Water pressure	2.10 MPa		5.10 MPa	2.93 MPa	
		Air pressure	1.54 MPa		3.74 MPa	2.09 MPa	
	Valve seat leakage	0.59 MPa					

Note: The water pressure test of the check valve to check for seat leakage shall be conducted by applying the specified pressure and then reducing the pressure to one-third.

\*1 Excludes the thickness of the flange (t). (125A or higher)

\*2 For details, see "Pressure-temperature ratings ASME B 16.34 (1996)."

**Pressure-Temperature Rating** ASME B 16.34-1996

Operating temperature	150lb	
	CF8 (SCS13A)	CF8M (SCS14A)
-29~38°C	1.90 MPa	1.90 MPa
93°C	1.59 MPa	1.62 MPa
149°C	1.41 MPa	1.48 MPa
204°C	1.31 MPa	1.34 MPa
260°C	1.17 MPa	1.17 MPa
316°C	0.97 MPa	0.97 MPa
343°C	0.86 MPa	0.86 MPa
371°C	0.76 MPa	0.76 MPa
399°C	0.66 MPa	0.66 MPa

**Pressure-Temperature Range**

